

Aaron Aikman SpiderHelmet - Template

made by **Creative Cosplays Magazine**
creativecosplays.com

[@creative.cosplays](https://www.instagram.com/creativecosplays) / [@creativecosplaysmag](https://www.instagram.com/creativecosplaysmag)

For Personal use only

Patterns shown are set up to fit on 8.5x11 sheets of paper.

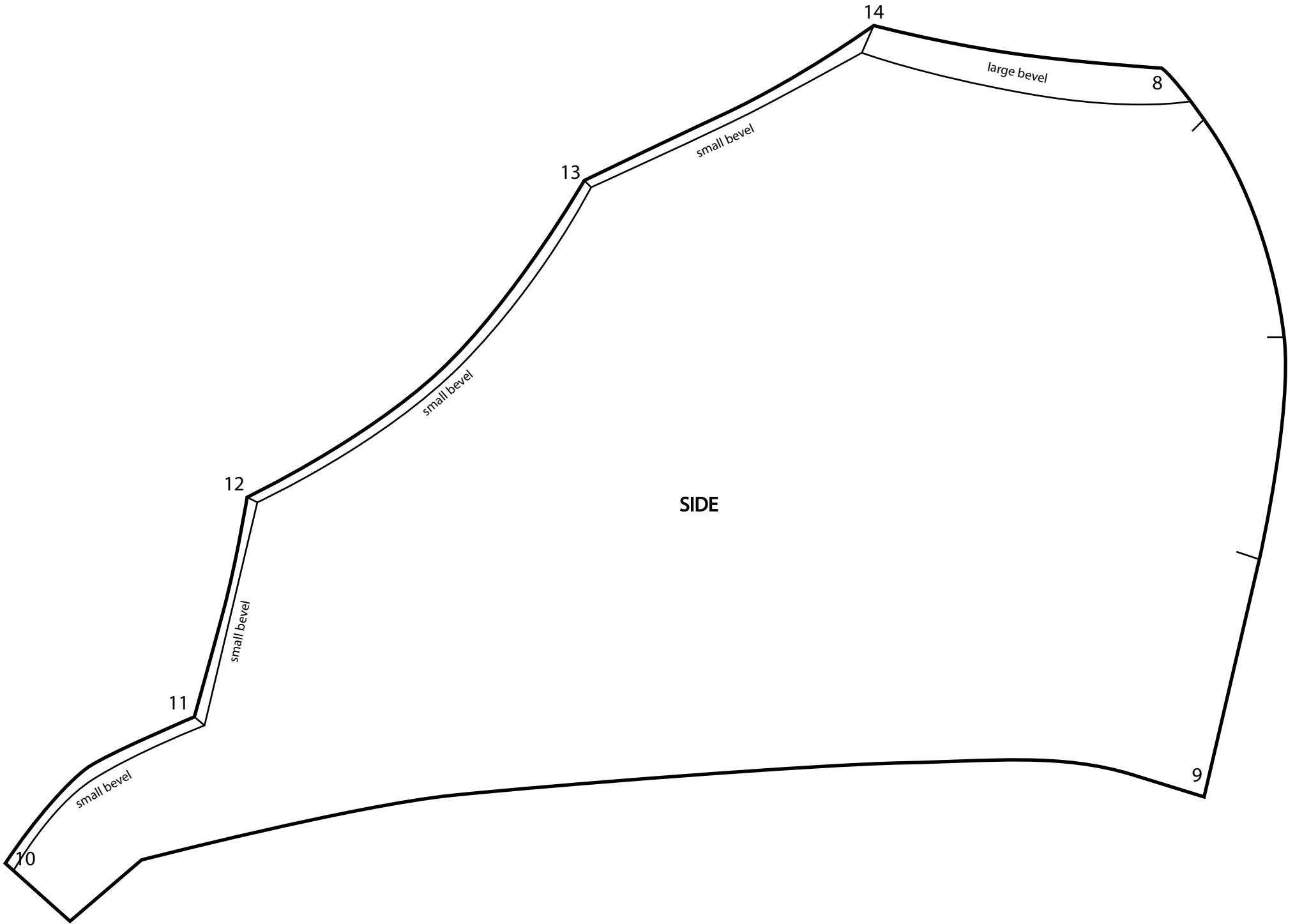
Pieces are for LEFT side of head and need to be flipped and mirrored for other side.

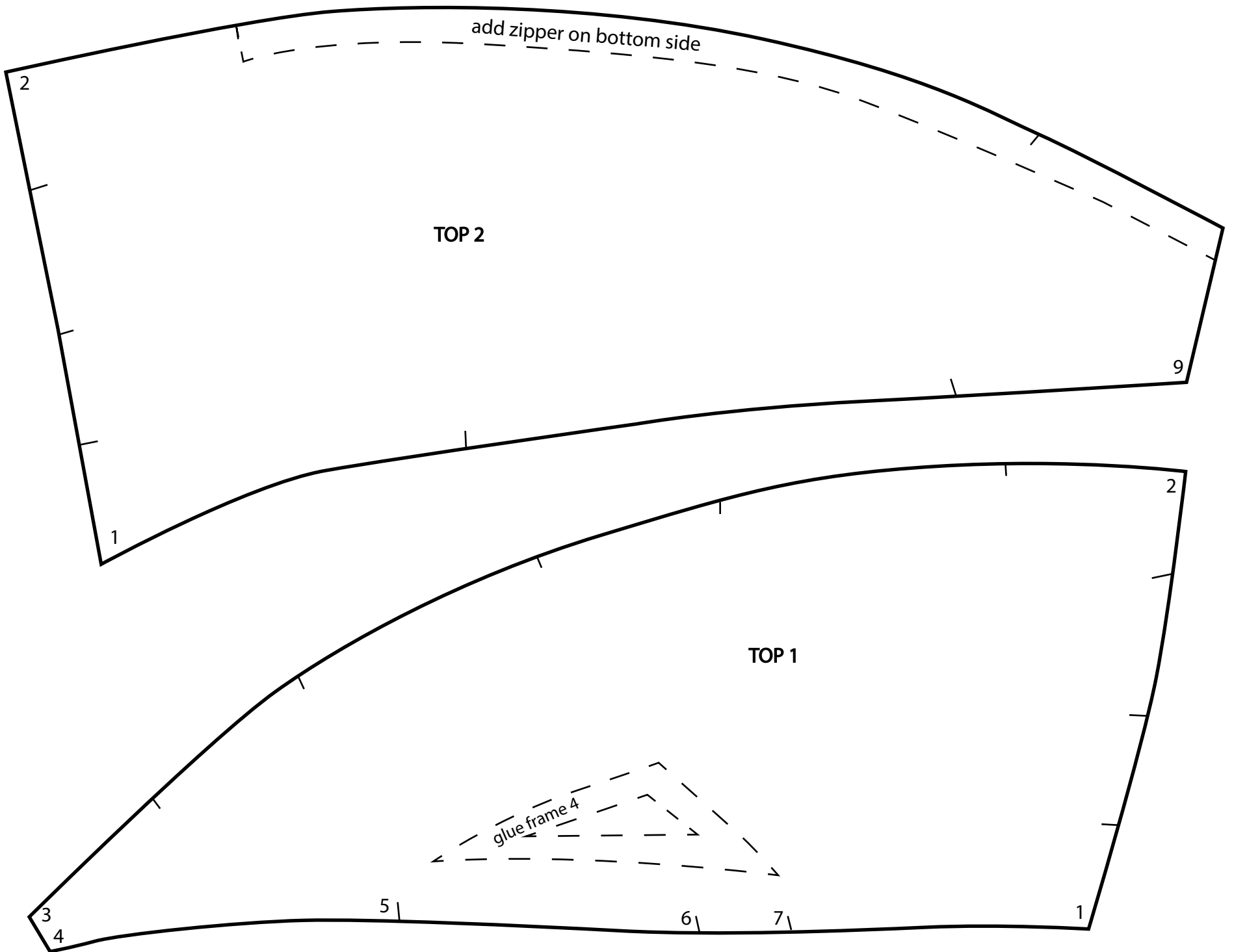
Recommended for 5 mm craft foam unless otherwise noted Connect matching numbers in no particular order

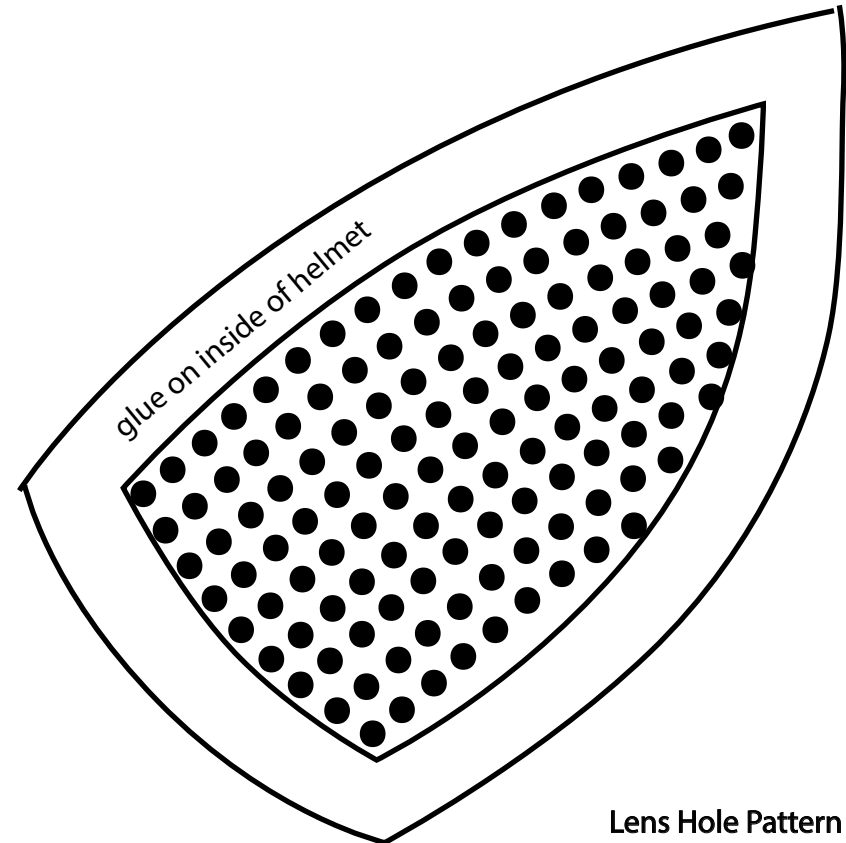
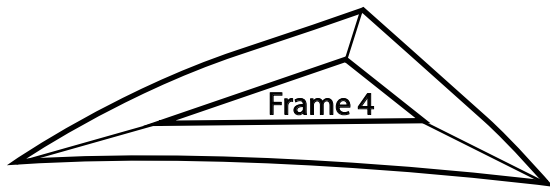
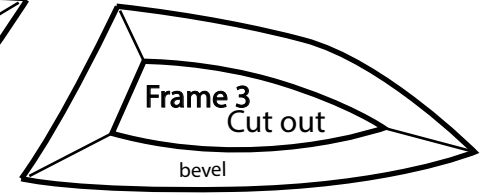
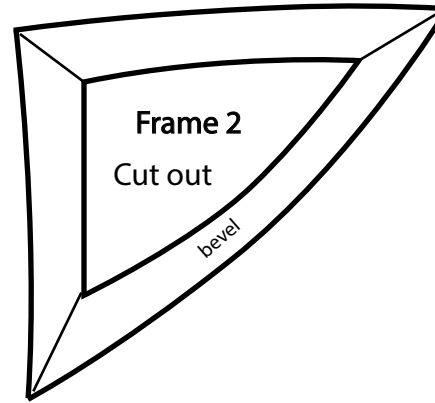
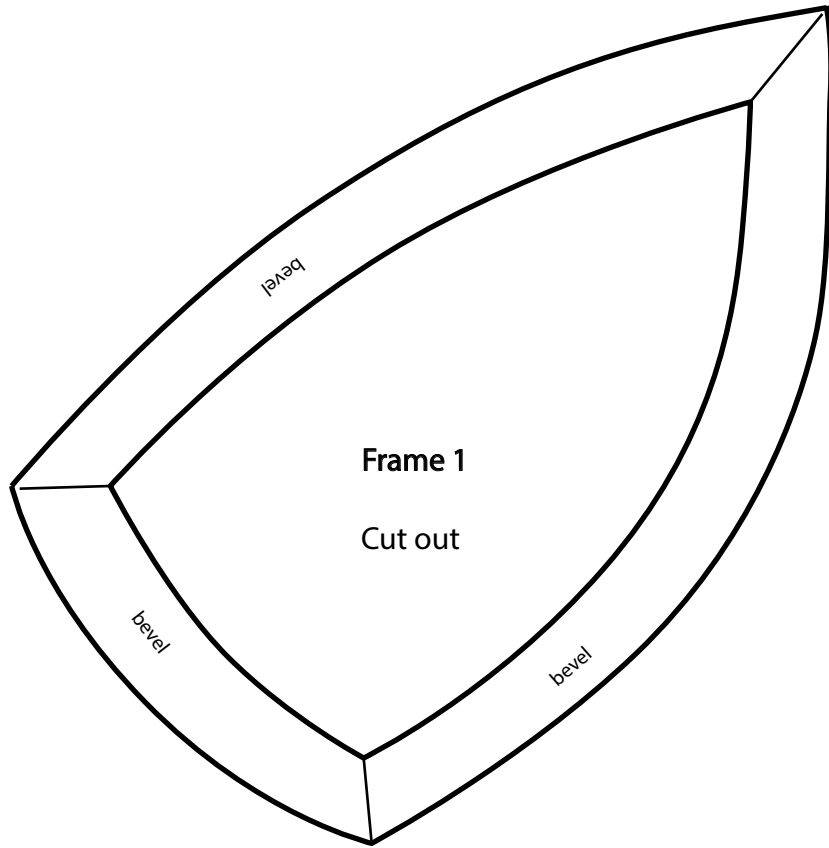
Current patterns will fit head size 22"
 increase Tile Scale to 105% for larger heads
 decrease Tile Scale to 95% for smaller heads

Directions

- Cut and transfer patterns onto 5mm craft foam
- Cut foam according to notes listed on patterns
- Use heat gun for better forming before gluing
- Glue pieces together by matching numbers and letters from pattern
- Once assembled and finished, take a photo and send us a photo of how it turns out. Be sure to **tag us @creativecosplays** if posting on instagram.







Lens Hole Pattern
Card stock paper or foam can be used